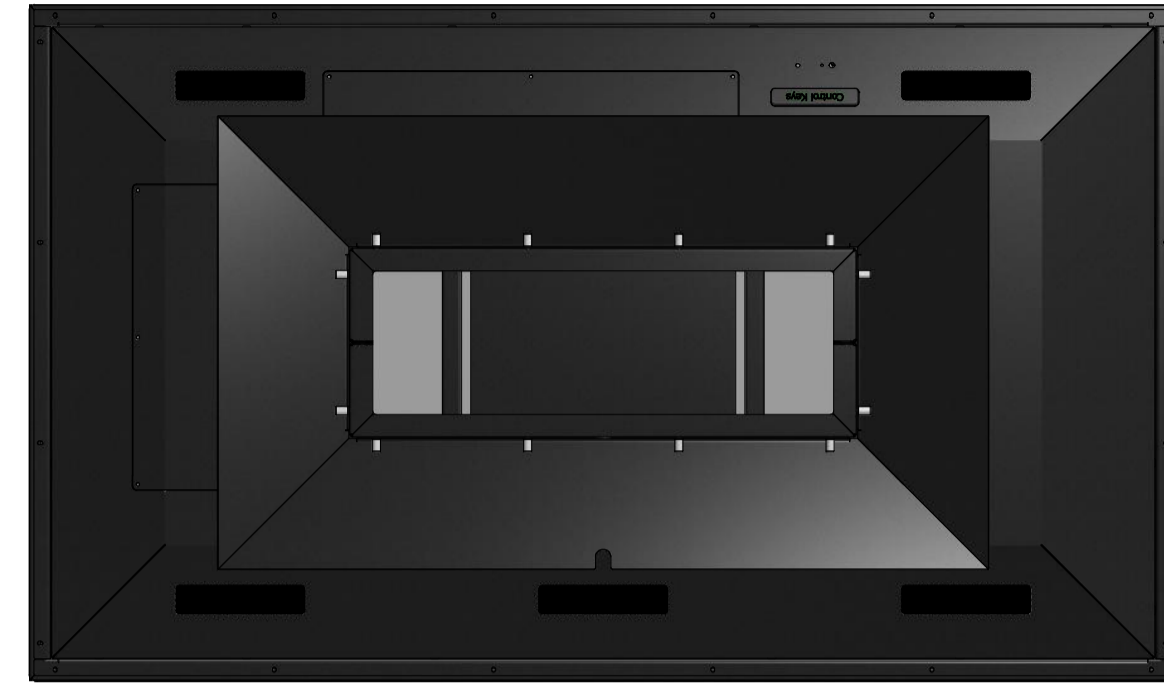
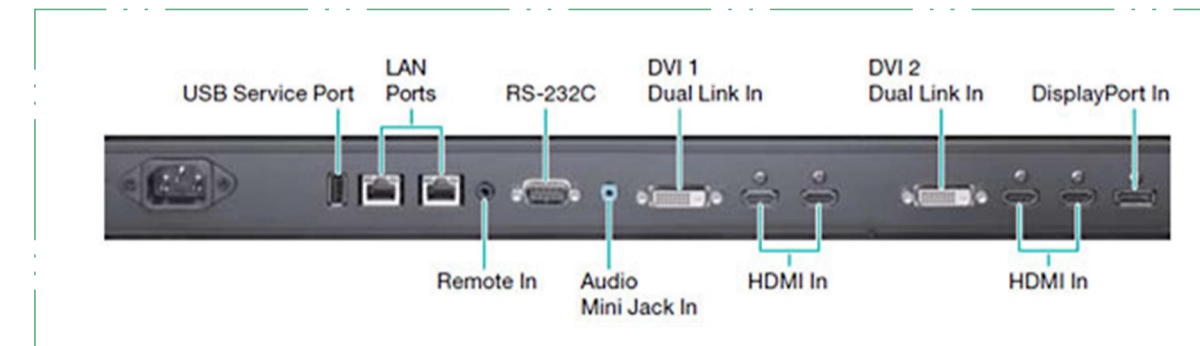


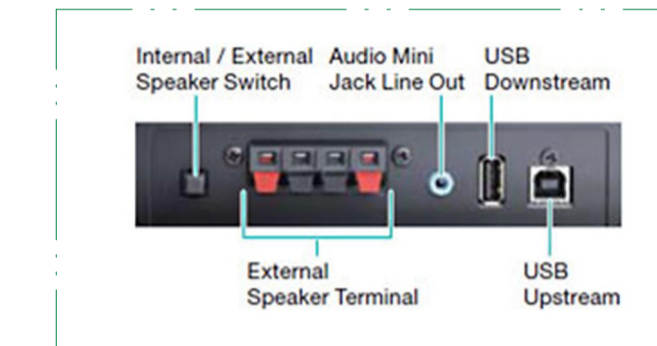
Bottom View 1:10



A



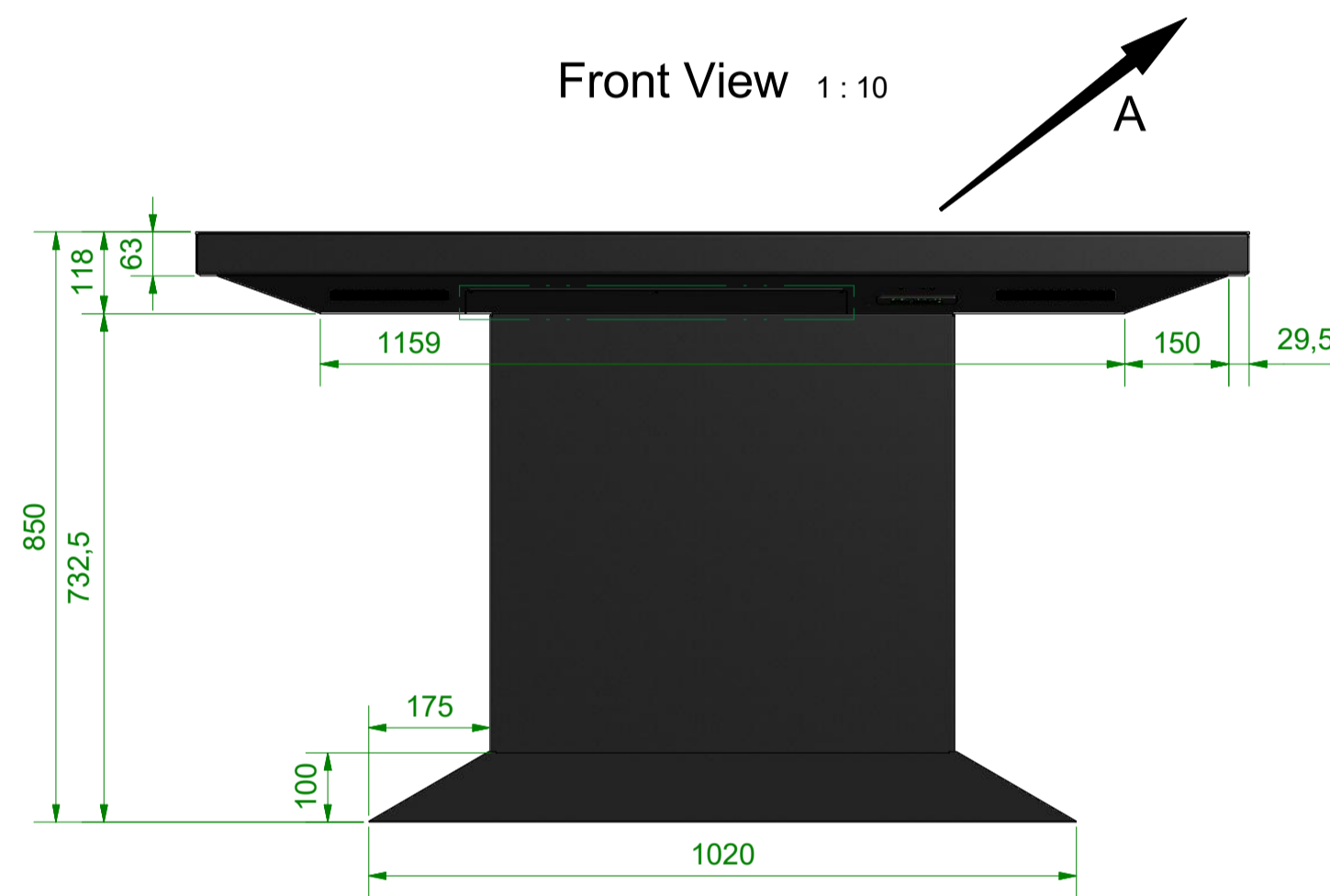
B



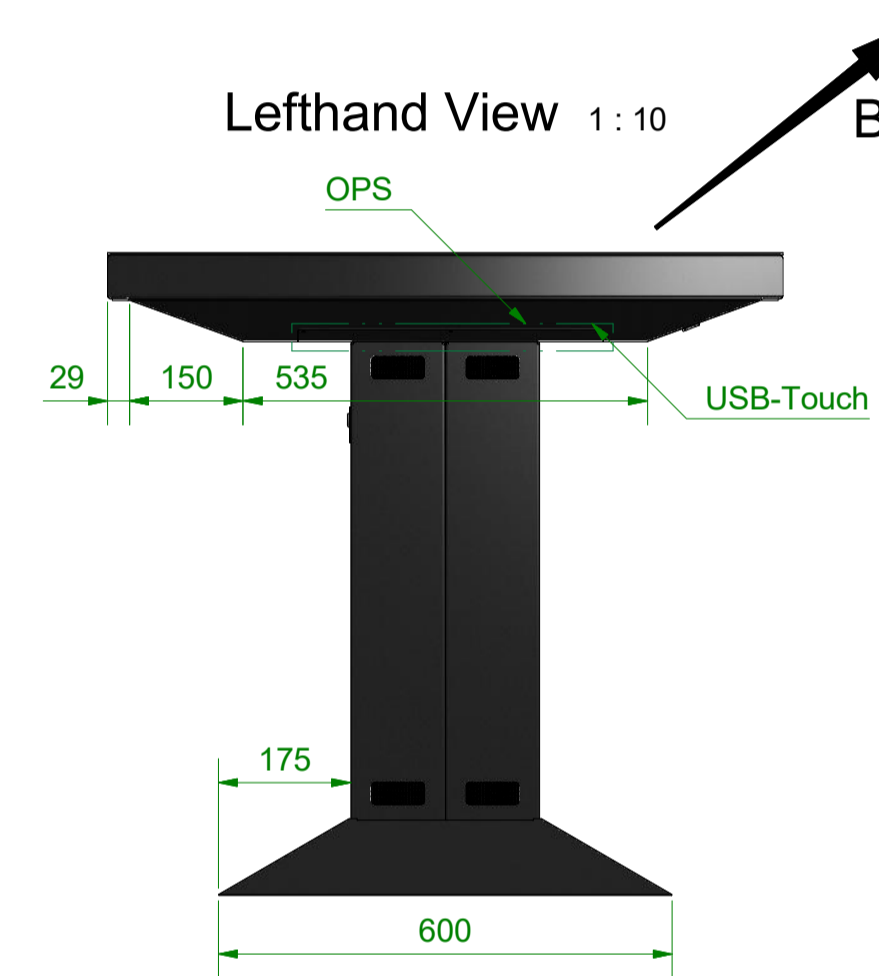
Righthand View 1:10



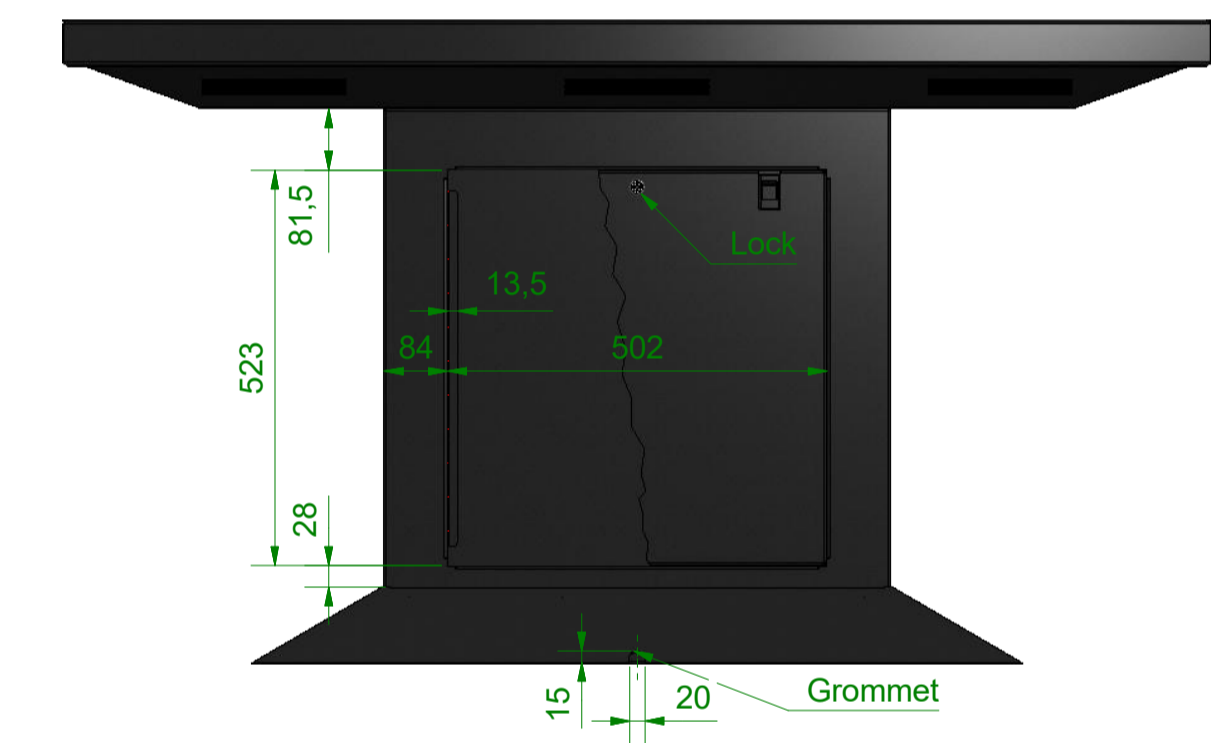
Front View 1:10



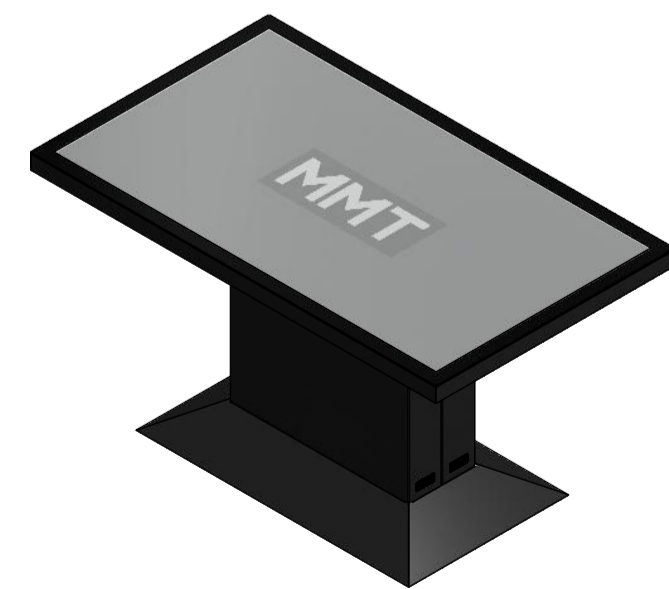
Lefthand View 1:10



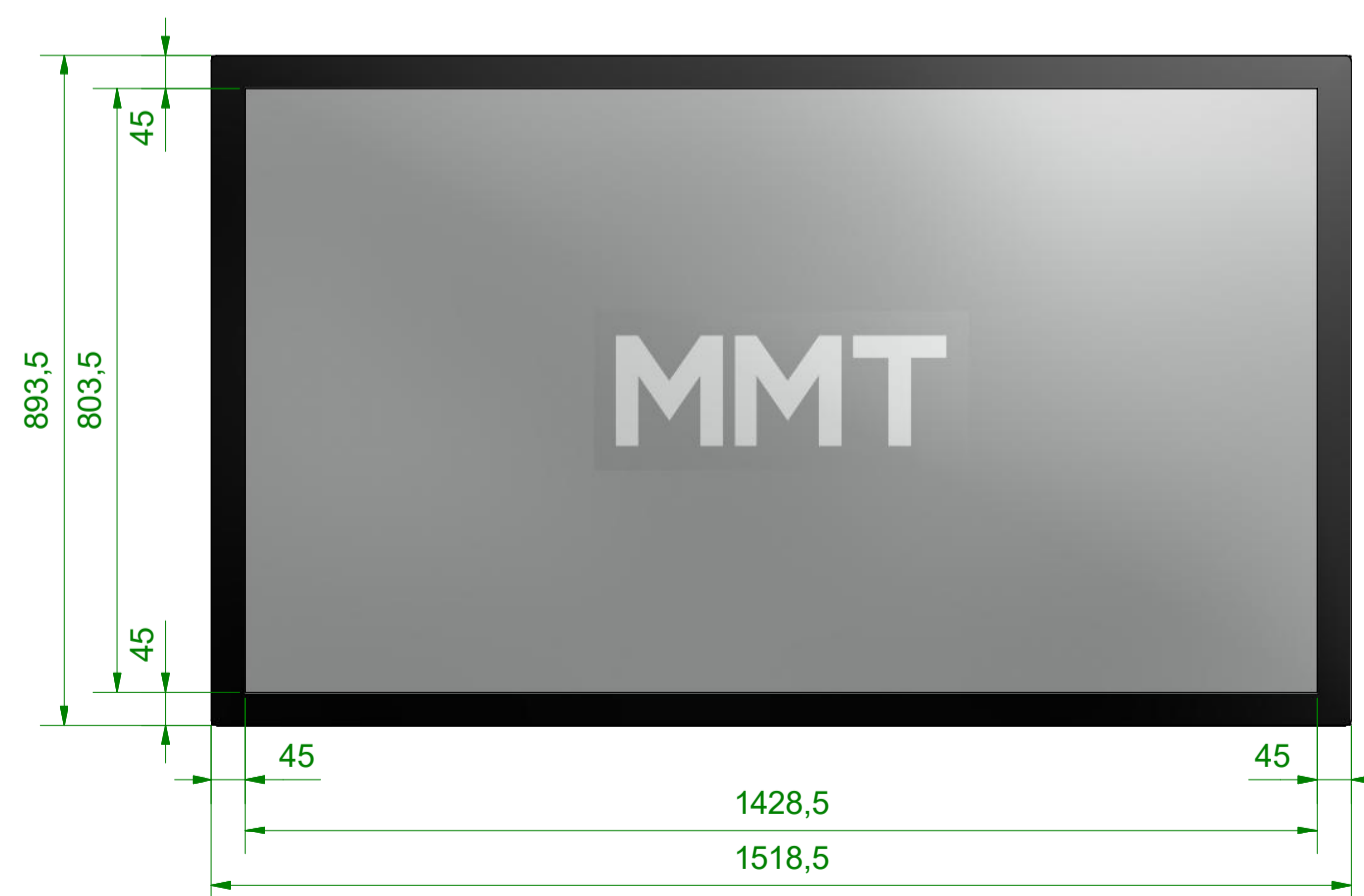
Back View 1:10



Isometric View 1:20



Top View 1:10



size (inch):	product / model:	MMT
65"	Alvaro/AVRE65FF	
drawing no.:	version: revision:	
Alvaro AFRE65FF-TABLE	V1.0	
<small>The copying, distribution and utilization of this document as well as the communication of it's contents to others without expressed authorization is prohibited. Offenders will be held liable for the payment of damages. All rights reserved in the event of the grant of a patent, utility model or ornamental design registration. (DIN 34)</small>		MMT GmbH & Co. KG www.mmt.io
<small>measures without tolerances:</small> machined: DIN ISO 2768 - m non-machined: DIN ISO 2768 - K thermal cut: DIN EN ISO 9013 - 1 welded: DIN EN ISO 13920 - B		constructed by: D.Lange drawn by: D.Lange checked by: D.Lange constructed on: 23.12.2016 drawn on: 09.01.2017 checked on: 10.01.2017 weight: 82 kg scale: 1:5 format: A1 sheet: 1 / 1