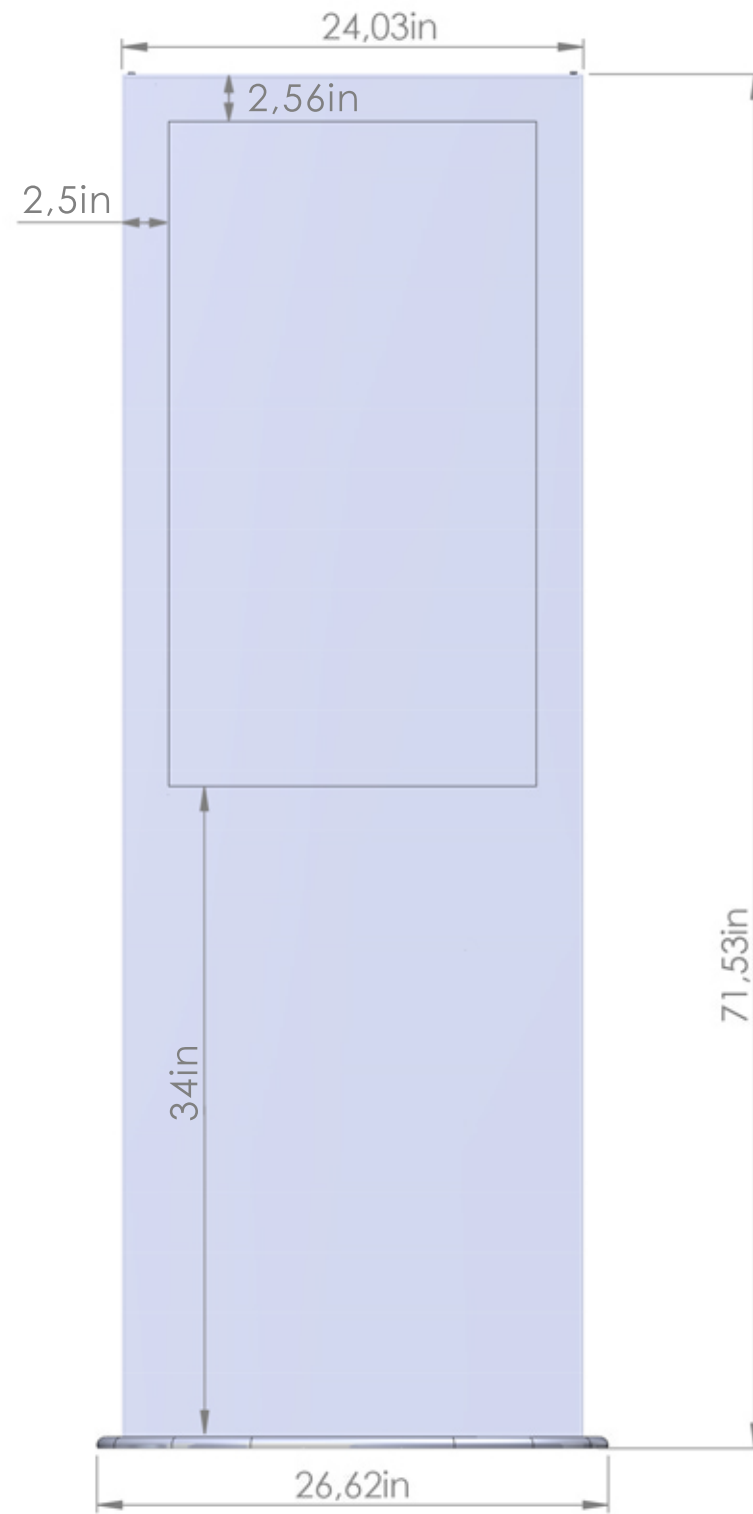
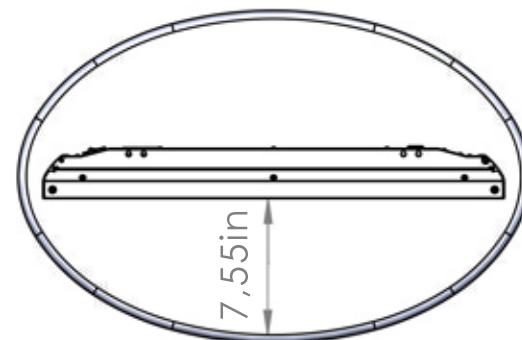


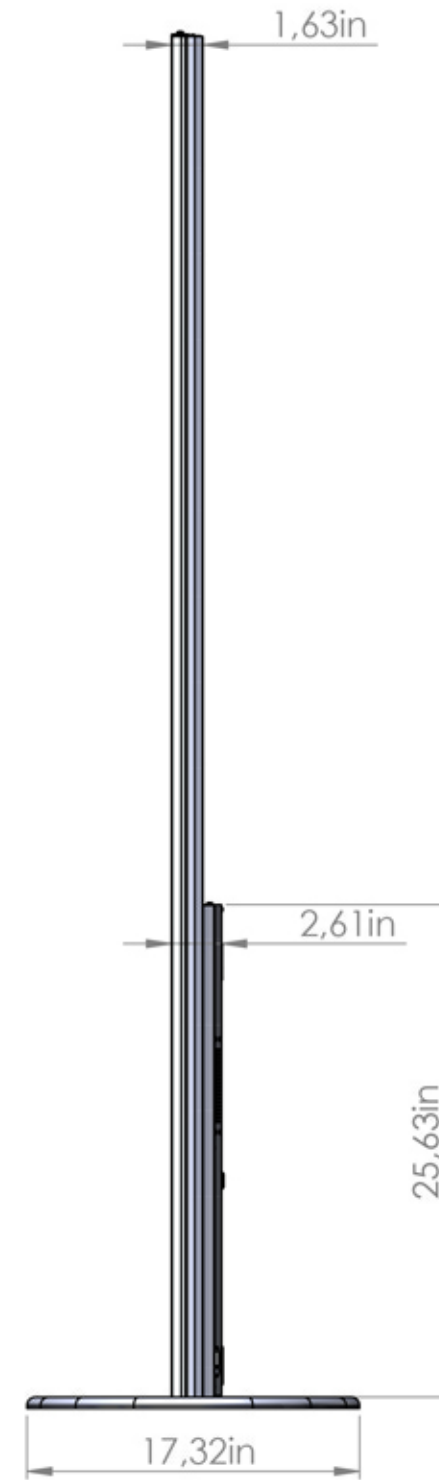
SCALE 1 : 10



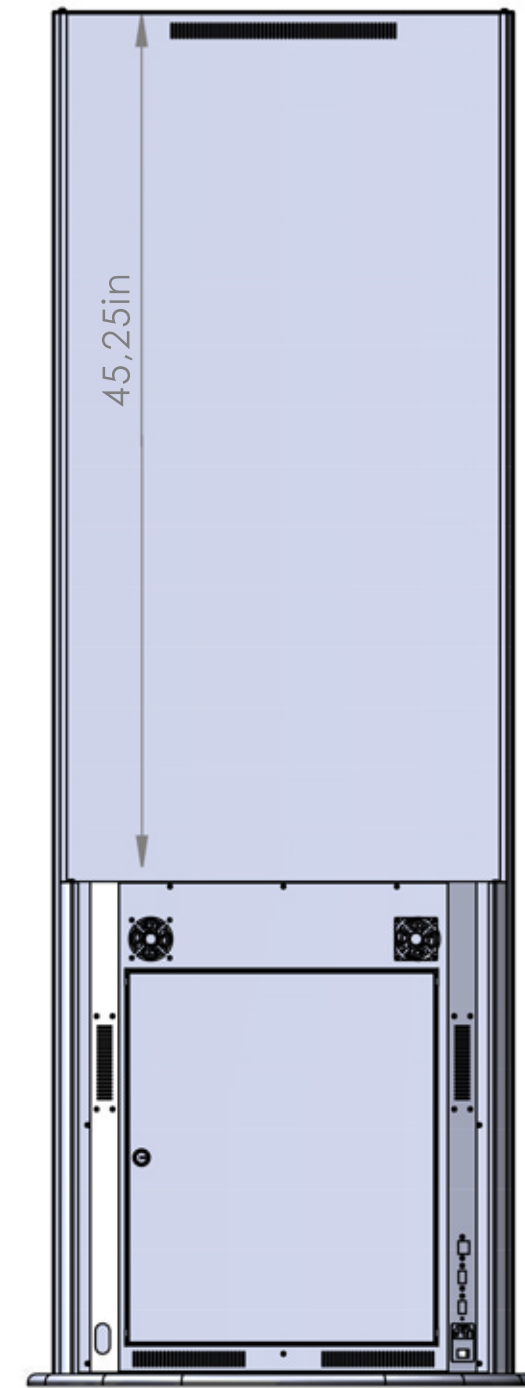
SCALE 1 : 10



SCALE 1 : 10



SCALE 1 : 10



SCALE 1 : 10

UNLESS OTHERWISE SPECIFIED: DIMENSIONS ARE IN MILLIMETERS SURFACE FINISH: TOLERANCES: LINEAR: ANGULAR:				FINISH:		DEBUR AND BREAK SHARP EDGES		DO NOT SCALE DRAWING		REVISION	
DRAWN				SIGNATURE		DATE		TITLE:			
CHKD											
APPVD											
MFG											
Q.A						MATERIAL:		DWG NO.		A3	
						WEIGHT:		SCALE:1:20		SHEET 1 OF 1	

swl-40A-dim