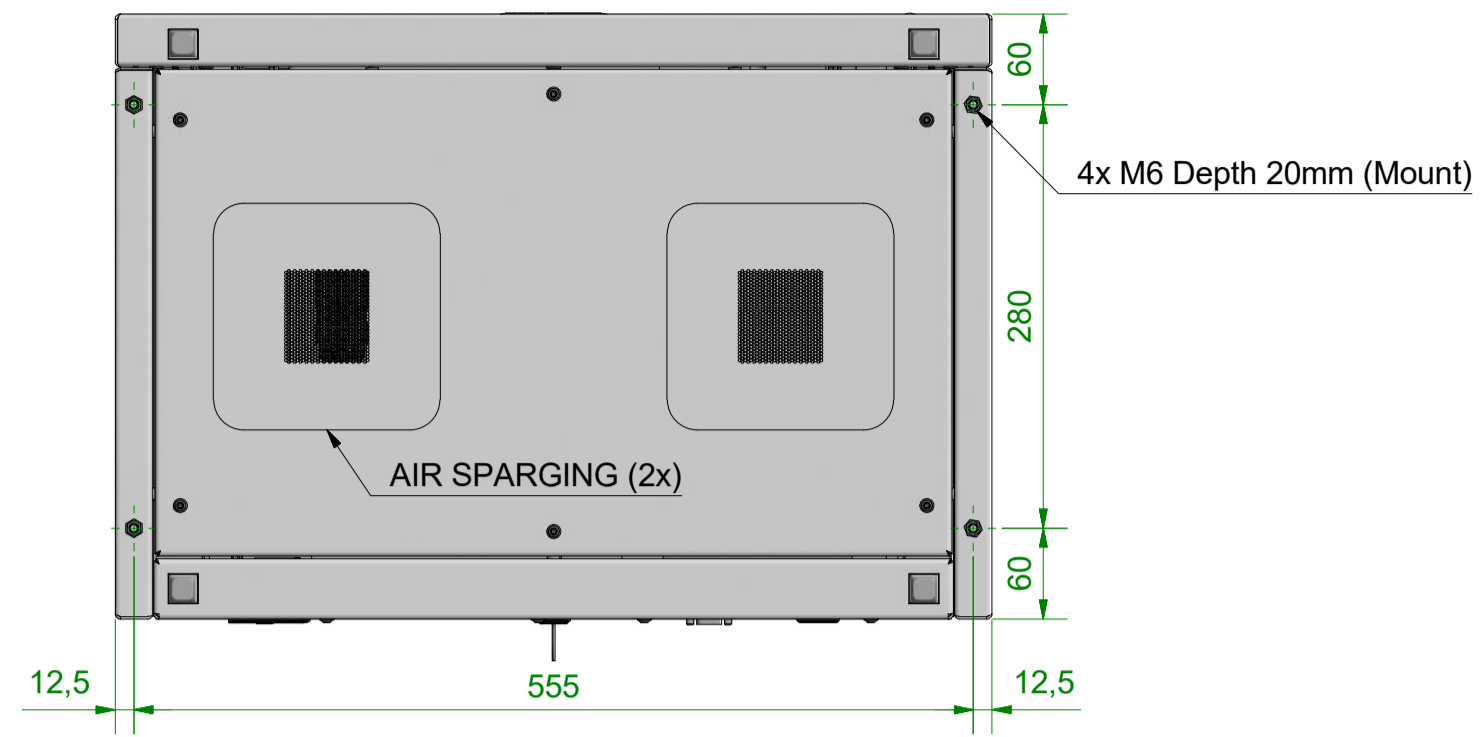
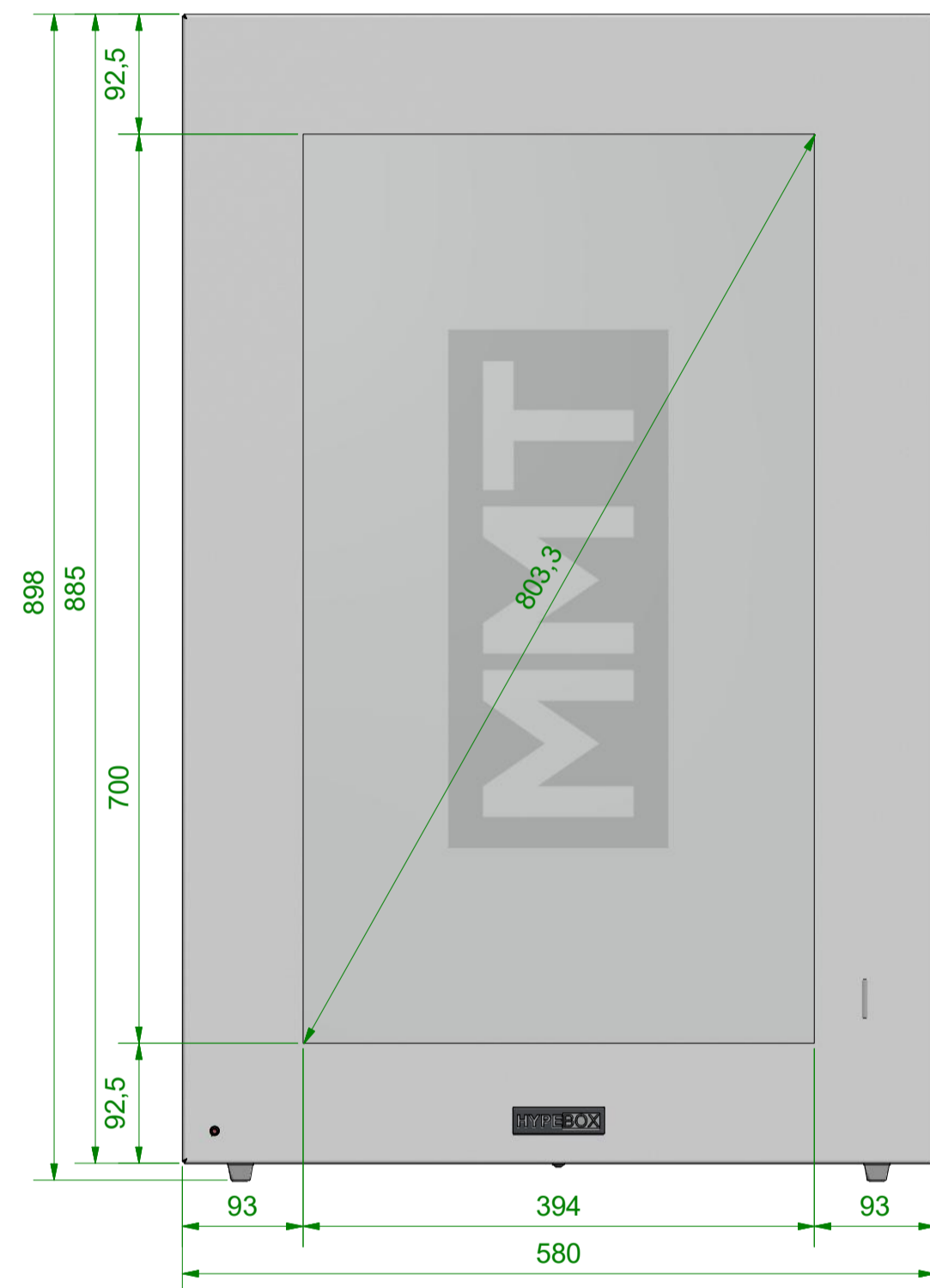


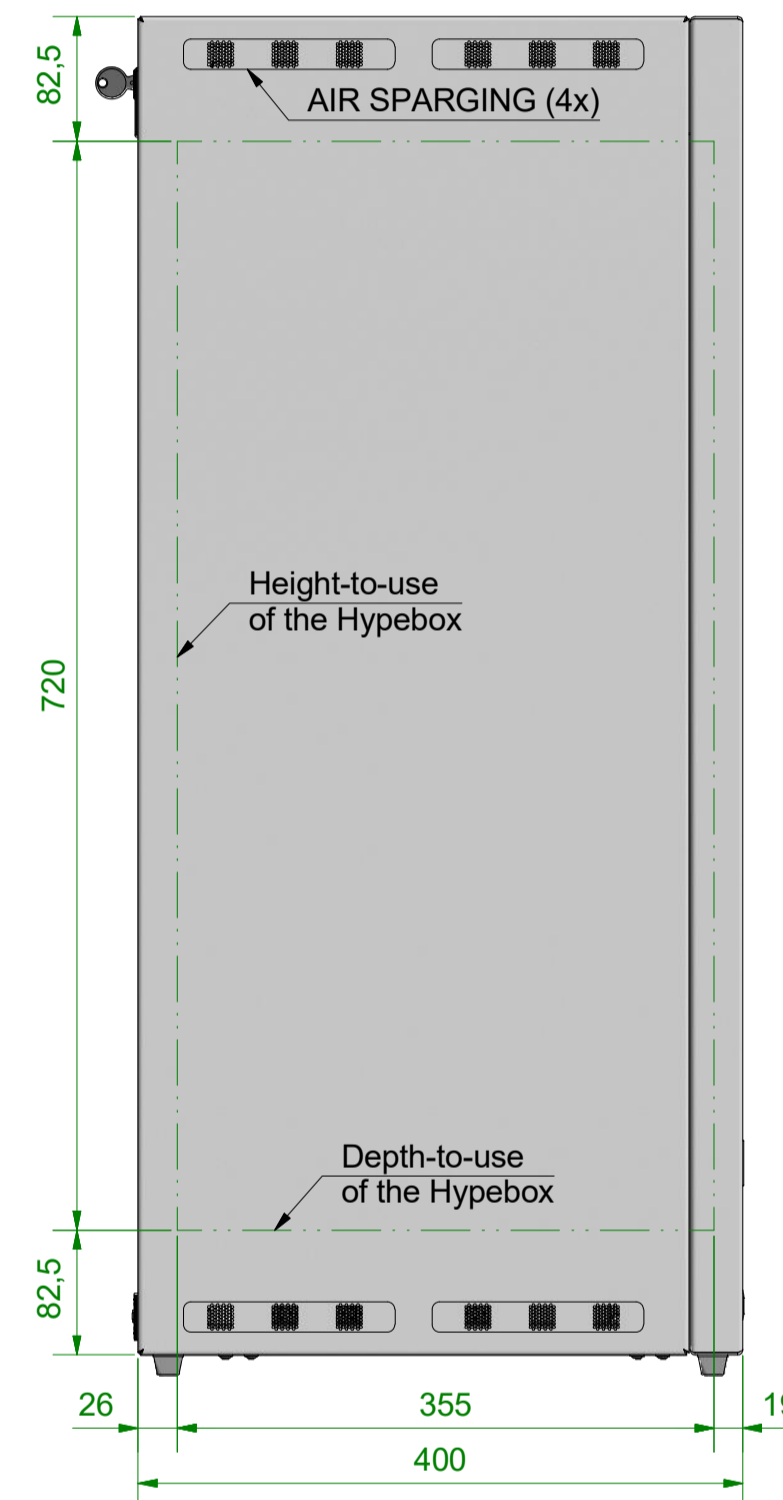
Bottom View 1:5



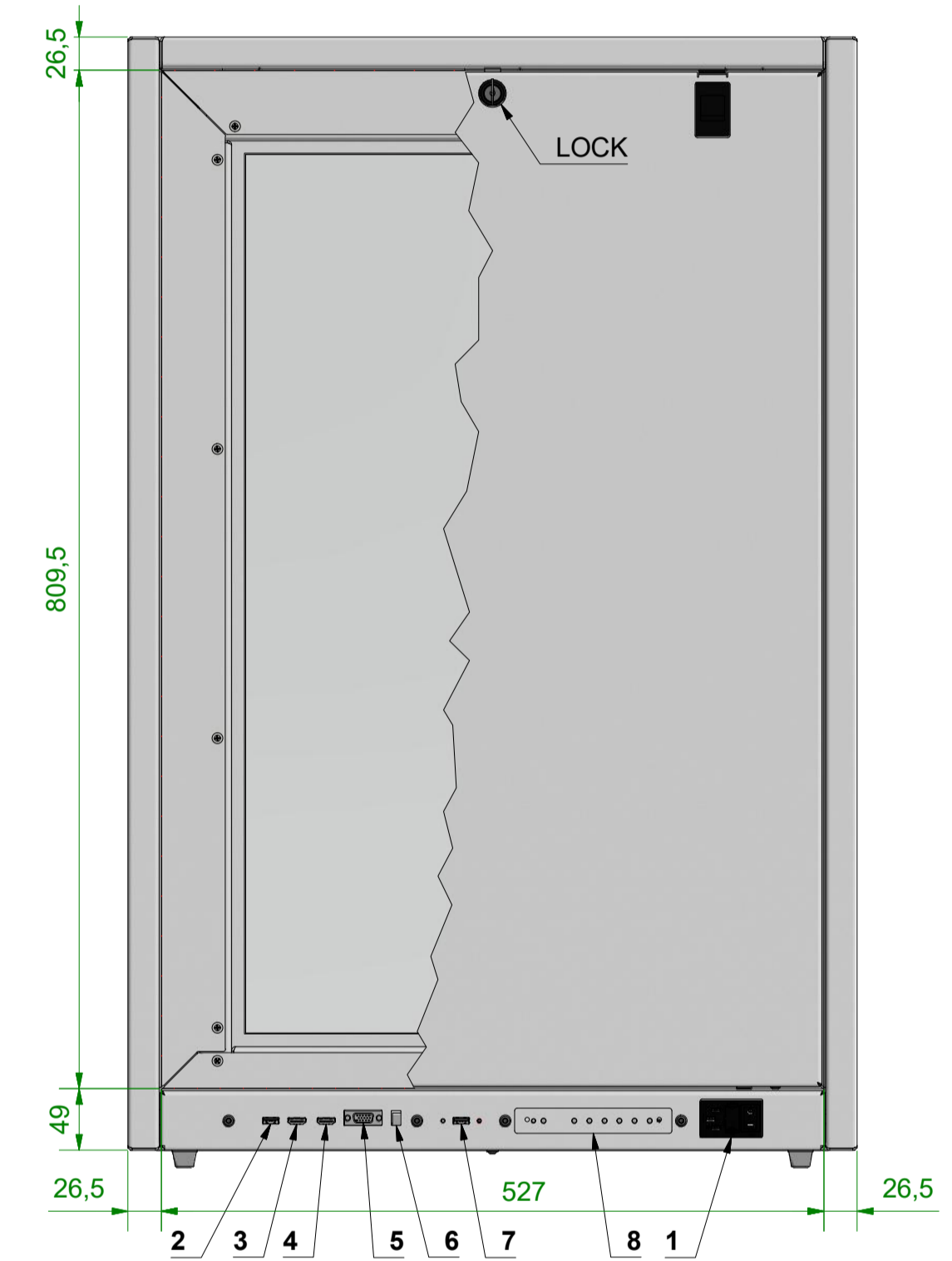
Front View 1:5



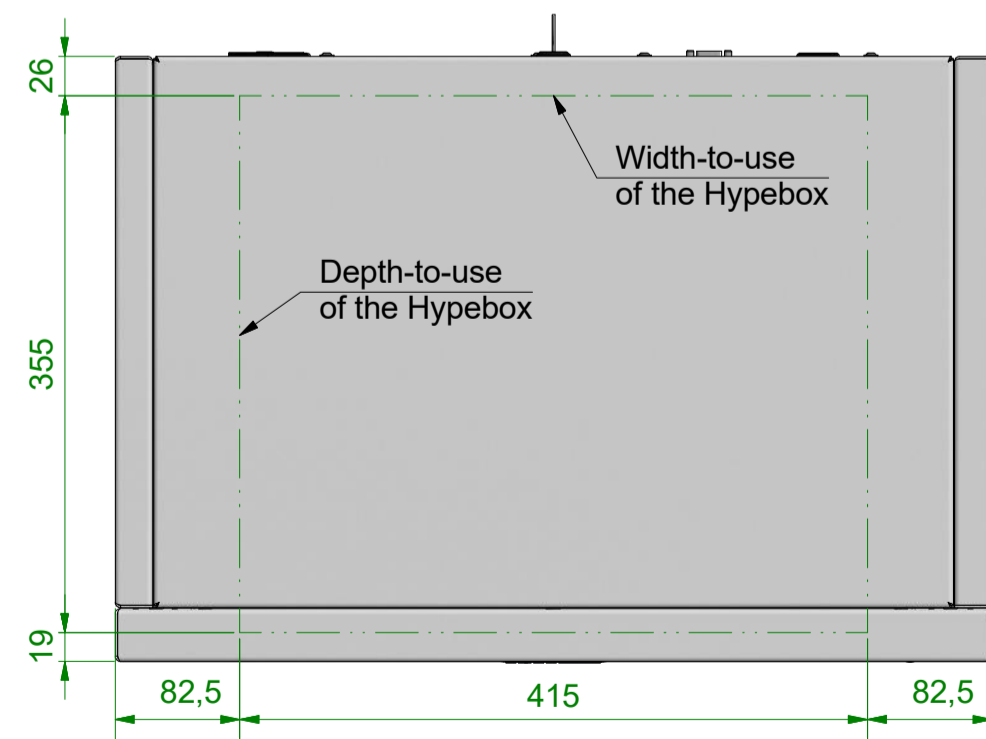
Lefthand View 1:5



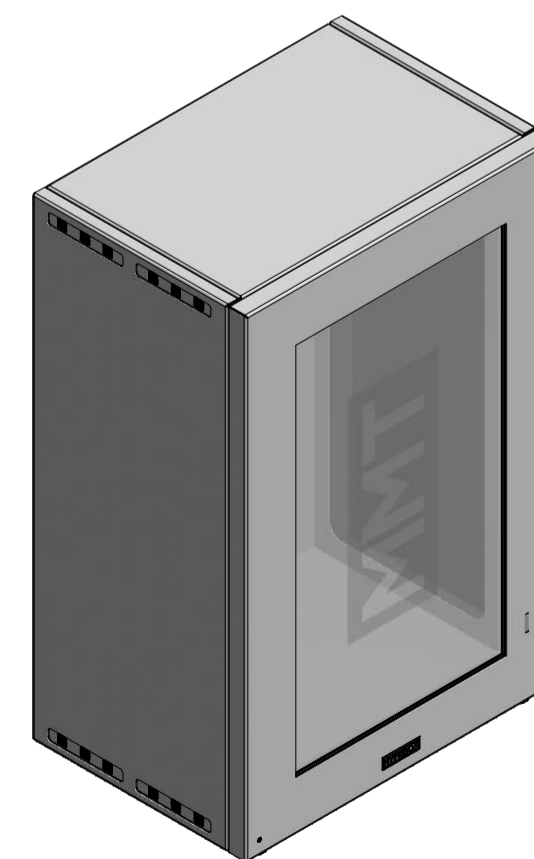
Back View 1:5



Top View 1:5



Isometric View 1:10



item	designation
1	PEM C14 (Power Input)
2	USB
3	HDMI 1
4	HDMI 2
5	VGA
6	Audio IN
7	USB Touch
8	Control Keys

size (inch):	product / model:	32" Hypebox/HBT32L		MMT	
drawing no.:	version: revision:				
Hypebox HBT32L G5		V2.0		The copying, distribution and utilization of this document as well as the communication of it's contents to others without expressed authorization is prohibited. Offenders will be held liable for the payment of damages. All rights reserved in the event of the grant of a patent, utility model or ornamental design registration. (DIN 34)	
contracted by: D. Lange		drawn by: D. Lange		checked by: D. Lange	
constructed on: 05.04.2018		drawn on: 11.07.2018		checked on: 23.08.2018	
measures without tolerances:		weight: 24 kg		scale: 1:5	
machined DIN ISO 2768 - m		non-machined DIN ISO 2768 - K		thermal cut DIN EN ISO 9013 - 1	
		welded DIN EN ISO 13920 - B		format: A1	
				sheet: 1 / 1	